

■ DATASHEET

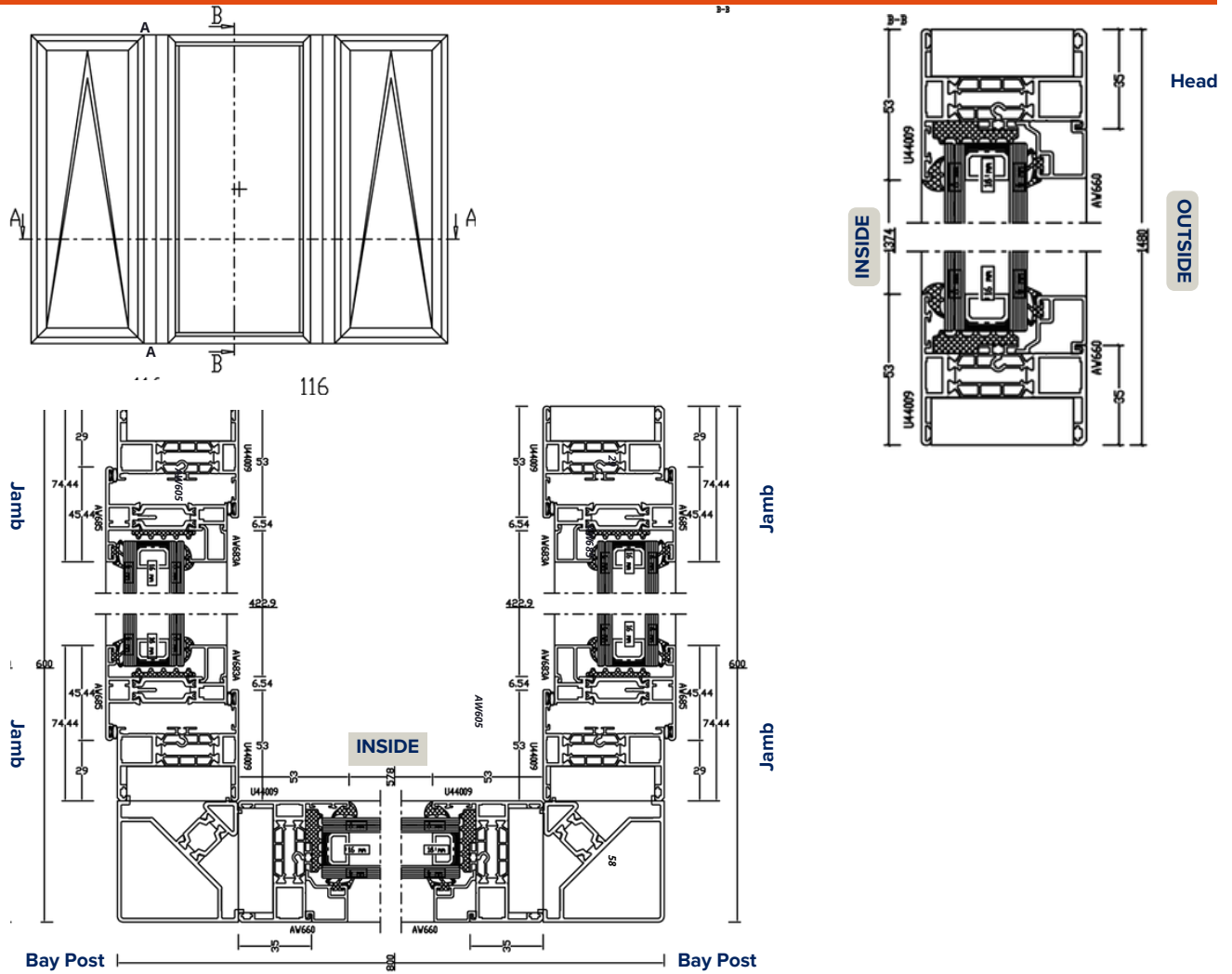
BAY WINDOW



FEATURES

- **ELEGANT AESTHETICS**
Slim and modern aluminium frames with sightlines starting from just 74mm
- **ENERGY EFFICIENT**
58mm or 70mm deep thermally broken frame achieves U-Values as low as 1.4 W/m²K with a double glazed unit, and a B-C rating on the BFRC WER scheme
- **HEIGHTENED SECURITY**
PAS 24 and Secured By Design Certified, and in compliance with Part Q of the building regulations
- **FLEXIBLE CONFIGURATIONS**
A range of bay and bow window configurations can be achieved using fixed posts and adjustable poles
- **GLAZING OPTIONS**
Internal Glazed with 28mm glazing thickness
- **CHOICE OF FINISH**
Available in any single RAL colour, dual colour, textured or an anodised finish

TECHNICAL DRAWINGS



OUTSIDE

SIZE & WEIGHT LIMITS	
Top Hung	
Max Width	1290mm
Max Height	1290mm
Max Weight	35kg
Side Hung	
Max Width	780mm
Max Weight	1390mm
Max Weight	26kg
Fixed Frame	
Max Width	2500mm
Max Weight	2500mm
Max Weight	250kg

PERFORMANCE	
U-Value (Double Glazing)	(Ug: 1.0 W/m2K) 1.4 W/m2K
U-Value (Triple Glazing)	(Ug: 0.8 W/m2K) 1.2 W/m2K
Window Energy Rating (WER)	B-C
BRE Green Guide Rating	A rated
Air Permeability Class 4	Class 4 (600 Pa)
Water Tightness	Class 9a (600pa)
Wind Resistance Class	Class E2400 (2400 Pa)
Acoustic Performance	Rw (C,Ctr) 42 (-1,-5) dB
Security PAS 24 & SBD	PAS 24 & SBD
3rd Party Certification Q Mark	✓

SIGHTLINES	
Head	74mm
Cill	74mm
Bay Post (frame to vent)	133mm
Bay Post (fixed frame)	110mm
Jamb	74mm

FINISHES	
Single Colour	✓
Dual Colour	✓
Textured Finish	✓
Anodised Finish	✓

BUILDING REGULATIONS	
Part L	Compliant
Part F	Compliant
Part M	Compliant
Part Q	Compliant

DETAILS	
Frame Depth	58 / 70mm
Glazing Thickness	28mm