

Solution 1.2

New Build

Solution 1.4

Refurbishment

AluFold WINDOWS

■ DATASHEET

SLIMLINE CASEMENT WINDOW



FEATURES

■ ELEGANT AESTHETICS

Slim and modern aluminium frames with sightlines starting from just 74mm

■ ENERGY EFFICIENT

58mm or 70mm deep thermally broken frame achieves U-Values as low as 1.4 W/m²K with a double glazed unit, and a B-C rating on the BFRC WER scheme

■ HEIGHTENED SECURITY

Features multi-point locking system, PAS 24 and Secured By Design Certified, and in compliance with Part Q of the building regulations

■ FLEXIBLE CONFIGURATIONS

Choose from top hung, side hung, dummy sash, or French casement

■ GLAZING OPTIONS

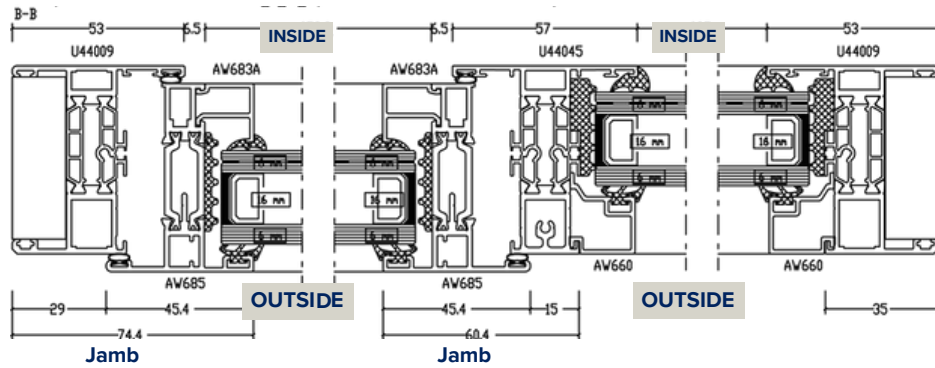
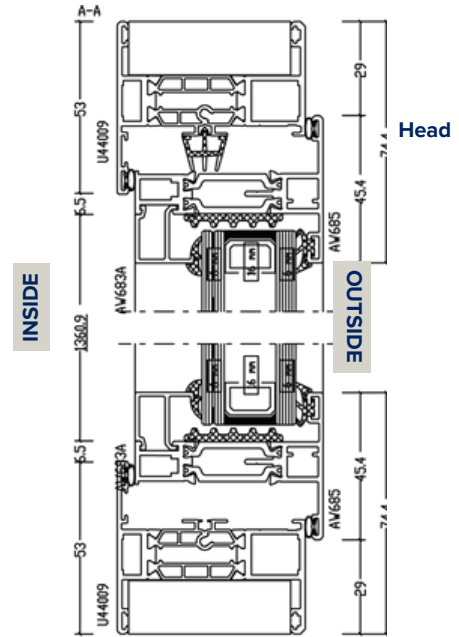
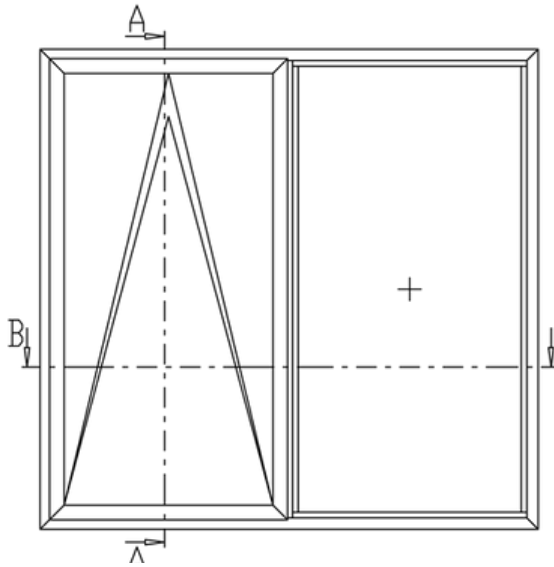
Internal Glazed with 28mm glazing thickness

■ CHOICE OF FINISH

Available in any single RAL colour, dual colour, textured or an anodised finish

ANY QUESTIONS? GET IN TOUCH AT INFO@ALUFOLDWINDOWS.CO.UK OR CALL 01706 260 700

TECHNICAL DRAWINGS



SIZE & WEIGHT LIMITS	
Top Hung	
Max Size (mm)	1400w x 1200h
Min Size (mm)	350w x 250h
Max Weight	35kg
Side Hung	
Max Size (mm)	700w x 1400h
Min Size (mm)	300w x 350h
Max Weight	26kg
Bottom Hung	
Max Size (mm)	-
Min Size (mm)	-
Max Weight	50kg (2 hinges)
Fixed Light	
Max Size (mm)	-
Min Size (mm)	-
Max Weight	250kg

PERFORMANCE	
U-Value (Double Glazing)	(Ug: 1.0 W/m ² K) 1.4 W/m ² K
U-Value (Triple Glazing)	(Ug: 0.8 W/m ² K) 1.2 W/m ² K
Window Energy Rating (WER)	A-B
BRE Green Guide Rating	A rated
Air Permeability	Class 4 (600 Pa)
Water Tightness	Class 9a (600pa)
Wind Resistance	Class E2400 (2400 Pa)
Acoustic Performance	Rw (C;Ctr) 42 (-1;-5) dB
Security	PAS 24 & SBD
3rd Party Certification Q Mark	✓

BUILDING REGULATIONS	
Part L	Compliant
Part F	Compliant
Part M	Compliant
Part Q	Compliant

SIGHTLINES	
Head	74mm
Cill	99mm
Jamb	74mm
Mullion	79mm

FINISHES	
Single Colour	✓
Dual Colour	✓
Textured Finish	✓
Anodised Finish	✓

DETAILS	
Frame Depth	58 / 70mm
Glazing Thickness	28mm